



# S-510

## TOUCHPAD DIGITAL DOOR LOCK

WITH FINGERPRINT READER

### USER MANUAL

#### ▲ Notice

Please read this manual before installation and operation.

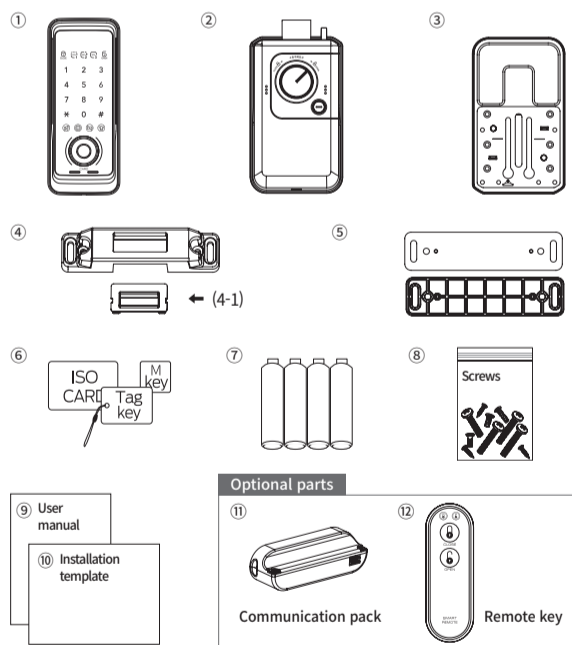
## ! Safety precautions

- Do not disassemble or alter the lock.**  
 Disassembling the door lock may damage the product. Damages to the product caused by unauthorized persons may void the warranty.
- If the product generates harmful gases and smoke.**  
 Please remove the batteries immediately from the product, if you do not take this step immediately, the product may suffer severe damage.
- Please keep the product away from water or any liquids.**  
 If the product is exposed to water or liquids, please wipe the moisture off with a soft cloth. If moisture or foreign materials penetrate the product, remove the batteries immediately.
- Please check the batteries every 6 months for leaks/cleanliness.**  
 If leakage is discovered, please wipe out with a dry cloth and replace with new batteries. In case of exposure to leakage, wash affected skin area with soap and water immediately.
- Do not clean the product with flammable materials such as alcohol, benzene or thinners.**  
 Such materials may damage the surface of the lock or cause a fire.
- Batteries should not be exposed directly to heat source or submerged in water, because they may leak or explode, resulting in severe damage.**  
 Do not use damaged batteries.
- Do not allow the battery electrodes to contact metals such as keys, as the battery may overheat, causing explosion or severe damage.**
- Please do not close the door with the deadbolt in the locked position.**  
 It may damage the product or cause a malfunction.
- Do not force to pull the front cover.**  
 It may damage the product or cause a malfunction.
- Do not mix old and new batteries, or use different types of batteries.**  
 The battery life is getting shorter and it may cause leaks or explosion.
- It may damage the product when installed on a heavy dew condensation door.**  
 Dew condensation, small drops of water that form when warm air touches a cold surface. Please check the environment of installation area. Heavy dew condensation may damage the product or cause a malfunction.

## Product features

- Three way solution (PIN code, Card / Fob, Fingerprint)**
- Voice guide and 3 step volume control system**  
 Voice guide (operation status, menu selection.) and provide 3 step volume control system.
- A ↔ M automatic / manual locking set function**  
 Automatic and manual locking mode set is possible with simple switch operation from Inside.
- Auto relock function**  
 If users do not open the door after unlocking the device it will lock itself automatically.
- Double lock function**  
 When double lock function is activated, the door cannot be opened from the outside, even with the registered card, PIN code or Fingerprint. Override key can still be used.
- One touch Mute function**  
 Door will not emit any sound when mute is activated.
- Low battery indicator and alarm for battery replacement**  
 Easy to check battery status with three step level indicator and alarm when battery replacement is required.
- Trespass alarm function**  
 When the door is opened by force an alarm will sound.
- Prevent mischief & hacking**  
 After multiple incorrect attempted entries an alarm will sound and all the functions of the lock will be suspended for three minutes. The alarm activated after three incorrect PIN/card entries.
- Random security coding function**  
 When you enter your home with other people, you may not want to show PIN code to them. In this case, you may press any numbers randomly without limitation and then enter your PIN code at the end.
- Normal mode/safety mode**  
 Normal mode is ideal for new users or low security environments. Safety mode provides a higher security level via use of a manager PIN code. Allows individual register and delete function which is not provided in normal mode.

## Product composition and components

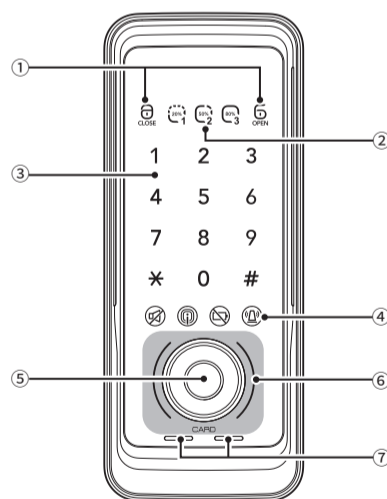


Name	product specification	remark
① Front Ass'y	74mm(W) X 184mm(H) X 20.7mm(D)	Including rubber pad
② Back Ass'y	160mm(W) X 93mm(H) X 37mm(D)	
③ Back bracket	164mm(W) X 97mm(H) X 4.5mm(D)	
④ Strike	30.1mm(W) X 124mm(H) X 28mm(D)	
⑤ Strike housing	30mm(W) X 124mm(H) X 2mm(D) 1 EA 30mm(W) X 124mm(H) X 4.7mm(D) 3 EA	Using for height of strike
⑥ Card / Fob	ISO card, Tag key, Mobile tag key	
⑦ Battery	1.5V 'AA' Size LR6 4 Alkaline (DC 6V)	
⑧ Screws	1 EA	
⑨ User manual	Main User manual	
⑩ Installation template	Using for making hole at the door	
⑪ Communication pack	Communication pack	Optional
⑫ Remote key	Remote key	Optional
※ Installation condition	Door thickness 40~50mm	

(4-1) Dead bolt guider : should remove after finishing installation.

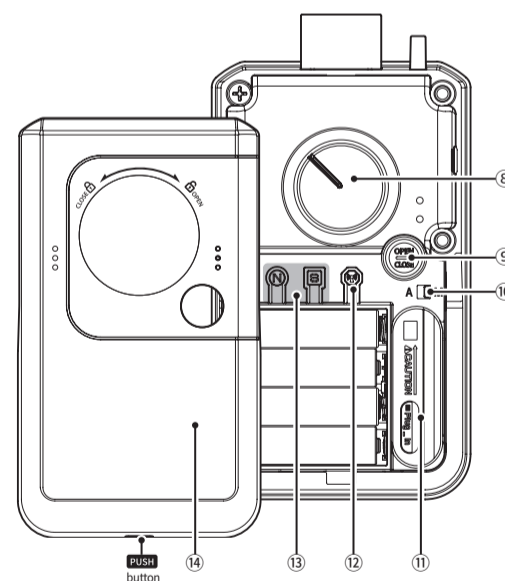
## Name and function of each part

### 1. Front Ass'y



Name	Description
① Lock / Unlock lamp	Indicate lock/unlock status.
② Status indicator	Indicates operation status and checking battery capacity 20% of Battery  50% of Battery  80% of Battery
③ Touch Keypad	Touch type Keypad
④ Window icon	: Mute function  : Wireless connection indicator(Optional) : Battery replacement indicator lamp : Trespass alarm function
⑤ Fingerprint sensor	Touch the registered fingerprint on the sensor to unlock the door
⑥ Card / Fob touch plate	Touch the registered Card / Fob to unlock the door
⑦ External power supply	When battery does not operate, product may be operated and unlocked by contacting a 9V battery on terminal located outside.

### 2. Back Ass'y



Name	Description
⑧ Thumb turn	Open or close manually with thumb turn
⑨ [Open / Close] button	Open or Close door with one touch button
⑩ Auto / Manual mode switch	A : Auto mode (It locks automatically when the door is closed) M : Manual mode (Does not lock automatically when the door is closed)
⑪ Connection terminal for communication pack	Connecting or removing terminal for communication pack
⑫ Communication button	: Registration or deletion of optional RF communication pack
⑬ [N],[S] button	Registration/deletion of PIN code, Card / Fob, Fingerprint in normal mode or safety mode
⑭ Battery cover	Push up to open the battery cover

### Description shortcut icons

: [N] button	: PIN code	: Trespass alarm
: [S] button	: Card / Fob	: Unlock
: [*] button	: 9V alkaline battery(6LF22)	: Lock
# button icon"/> : [#] button	: User code	
: Touch the front pad	: Manager code	
: [Communication function] button	: Registration code	
	: Random code	

※ Normal mode : [N] button / Safety mode : [S] button

### How to replace batteries

If battery lamp is blinking RED and alarm sounds, open battery cover and replace all batteries, 6V(1.5V "AA" size LR6 Alkaline)

### How to unlock / lock from outside

How to unlock from outside	
PIN code	How to unlock from outside without disturbing others (Mute function)
PIN code	
How to lock [Auto lock / Manual lock] from outside	
Auto lock	※ If the door is not closed correctly, warning sound will go off. Please check and confirm the door closing status.
Manual lock	0
How to set auto lock / manual lock	
Auto lock	In Auto lock mode, door will be locked automatically. In Manual lock mode, door will be locked pressing manual lock button.
Manual lock	* As the auto locking function does not work in the manual lock mode, please make sure to check the door is locked when you leave.

### How to apply external power in the emergency

PIN code	<h3>How to use random security coding function</h3>
----------	-----------------------------------------------------

Usage	<h3>Additional function</h3>
-------	------------------------------

How to control voice guide volume	
Min. volume	
Max. volume	Guest PIN code (Temporary use)
REG.	How to control operation volume
Vol. up	
Status checking guide	
Voice guide	Check battery capacity
Checking the battery	Warning function against illegal entry or hacking
Operate	Wrong PIN code three times/unregistered card three times/unregistered fingerprint five times
Warning alarm function against trespass by force	
PIN code	<p>9</p>

### How to lock from Inside (Auto lock / Manual lock)

1. In auto lock mode

When the door is closed, door is locked with beep sound automatically.

2. In manual lock mode

After closing door, press [open/close] button, then door is locked with beep sound.

### How to open or close with Thumb turn from Inside (Manual)

Turn clockwise for unlocking      Turn counterclockwise for locking

### How to open or close with [open/close] button from Inside (Auto)

Press [open/close] when locked and it will unlock.      Press [open/close] when unlocked and it will lock.

### How to set double locking function

1. [Double locking] Set up

While door is unlocked Press [open/close] button for 3 second.

2. [Double locking] Cancel

While double locking mode is on Press [open/close] button.

**Note**

- In double locking mode, from inside, you can release lock by use of thumb turn.
- Intrusion alarm function still activate while in double locking mode.
- Even in door is open, double lock mode can be activated, When volume is set to "mute", only the indicator of double locking mode is blinking with sound.

### Auto lock function / Auto relock function

- Auto lock function**  
When the door is closed, it will be locked automatically.
- Auto relocking system**  
If the door is not opened within 7 seconds after input PIN code or card it will be relocked automatically to protect user's property.

**Note**

- Auto relocking system is different from "auto lock". If the door is not opened within 7 seconds after input PIN code, it will be relocked automatically

### How to change Normal mode / Safety mode

• Normal mode: ideal for new users or low security environments	
• Safety mode: higher security level via use of a manager PIN code. Provides individual and deletion function	
• PIN code: 10 entries (6-12 digits) / Card / Fob: 50 entries / Fingerprint : 50 entries	
: [N] button     : [S] button     : Card / Fob     : Fingerprint	
: User code     : Manager code     : Registration code	
How to change from normal mode to safety mode	
How to change from safety mode to normal mode	
Normal mode	

### Normal mode

Normal mode	
REG.	
DEL.	

※ Repeat highlighted part of diagram above for continuous registration.

### Safety mode

**Warning** : Please do not forget manager PIN code.  
If you forget this number, please contact to your local agency.  
Keep the door open while you register PIN code / Card to prevent yourself from accidentally getting locked out.

• PIN code: 10 entries (6-12 digits) / Card / Fob: 50 entries / Fingerprint : 50 entries

: [N] button    : [S] button    : Card / Fob    : Fingerprint

: User code    : Manager code    : Registration code

Safety mode	
REG.	
DEL.	
Safety mode (Manager)	
Change	
REG.	
DEL.	

※ Repeat highlighted part for continuous registration or deletion.

### How to select the language

English	
Chinese	

### Communication pack / Remote key (optional)

#### Wireless communication device installation

**Note**

- Please insert the device in the correct position.

- Open the battery cover on the lock and remove the batteries.
- Plug in the wireless communication device.
- Insert the batteries back into the lock.
- Audible melody will sound if successful.

#### How to register remote key & to unlock or lock

• Remote key : 5 entries

: [Communication function] button

: Remote unlock    : Remote lock

: PIN code    : Card / Fob

How to register / delete remote key	
REG.	
DEL.	
How to lock / unlock using remote key	
Unlock	
Lock	

※ Repeat highlighted part for continuous registration.  
※ 1 EA battery is equipped.  
※ To replace battery, open the back cover.

### Using the Schlage Base (optional)

※ Communication packs(Mobile Access) must be purchased separately.

#### Connecting with the mobile app

- Install the Schlage Base via the APP Store or Google Play.
- Activate the app (new user must register account first) and press the "🔒" icon at the top of the screen and select a door lock from the list.
- Connect the door lock by following the guide provided in the app.

#### On the lock:

Press and hold the button for 3 seconds.  
Then, press 1 on the keypad and enter the passcode followed by the [#] button.

#### Disconnecting the app from the door lock

- Press and hold the button for 3 seconds.
- Then, press 2 on the keypad and enter the passcode followed by the [#] button.